



gripSTIK® Vinyl 1-1/2" Bullnose Transition Adaptors

Installation Recommendations

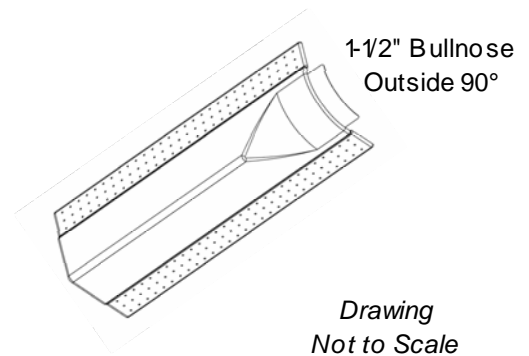
Phillips recommends installation in accordance with applicable ASTM standards and using prevalent industry standards.

General Installation Guidelines

Phillips gripSTIK® vinyl 1-1/2" bullnose jumbo transition adaptors are designed to transition from 1-1/2" bullnose to 90° and can be installed using a variety of methods. This product is commonly used to transition 1-1/2" bullnose corner bead and baseboard or crown molding. The method listed below is a guideline.

Method: Spray Adhesive (gripSTIK® Spray Adhesive Recommended)

1. For 1-1/2" radius bullnose corner bead installation, drywall must be set back so it does not interfere with bullnose radius before installation of transition adaptors (see separate corner bead installation guide).
2. The installation of gripSTIK® vinyl 1-1/2" transition adaptors must occur before the installation of the 1-1/2" bullnose corner beads.
3. Put a coat of spray adhesive on the back of the transition adaptor.
 - a) Immediately apply adaptor to drywall and position in place.
 - b) If the adhesive dries too long, it will be hard to reposition.
 - c) At some point the adhesive will lose tackiness and will not bond. If this happens, reapply adhesive to adaptor.
4. The rate at which the adhesive dries varies depending on heat and humidity. Test in your conditions.
5. Use handle of your taping knife or installation tool to apply pressure along mud flanges (perforated sections). Bond strength is greatly enhanced with this crucial step.
6. Staple each mud flange (perforated sections) with several 1/2" crown staples.
7. Pressure the mud flanges again (see step 5).
8. Install 1-1/2" bullnose corner bead following corner bead installation instructions (see separate installation guide). It is important to cut corner bead to correct length so it lines up properly with the alignment tab on the adaptor.
9. No primer is needed. Finish as usual.
10. For cold weather winter applications, please refer to the installation recommendations in the Gypsum Association GA-220-06 of 40°F or warmer.



With Phillips gripSTIK® vinyl beads, trims and corner caps:

- No mud additives needed
- No primer needed

Made in the U.S.A.

Phillips is proud that all our beads, trims and accessories are made in the United States of America.

The information and recommendations contained herein are, to the best of Phillips Manufacturing Company's knowledge and belief, accurate and reliable as of the date issued. Phillips Manufacturing Company has no control over the conditions of handling and use, and makes no warranty regarding the results obtained from the use of this data. The information and recommendations are offered for the user's consideration and examination, and it is the user's responsibility to determine that they are suitable and complete for its particular use. Phillips reserves the right to make alterations and amendments to the detailed specifications at its discretion. Phillips disclaims responsibility for all actions, proceedings, liabilities, claims, damages, cost, losses, and expenses in relation to, or arising out of, incorrect utilization of this information.