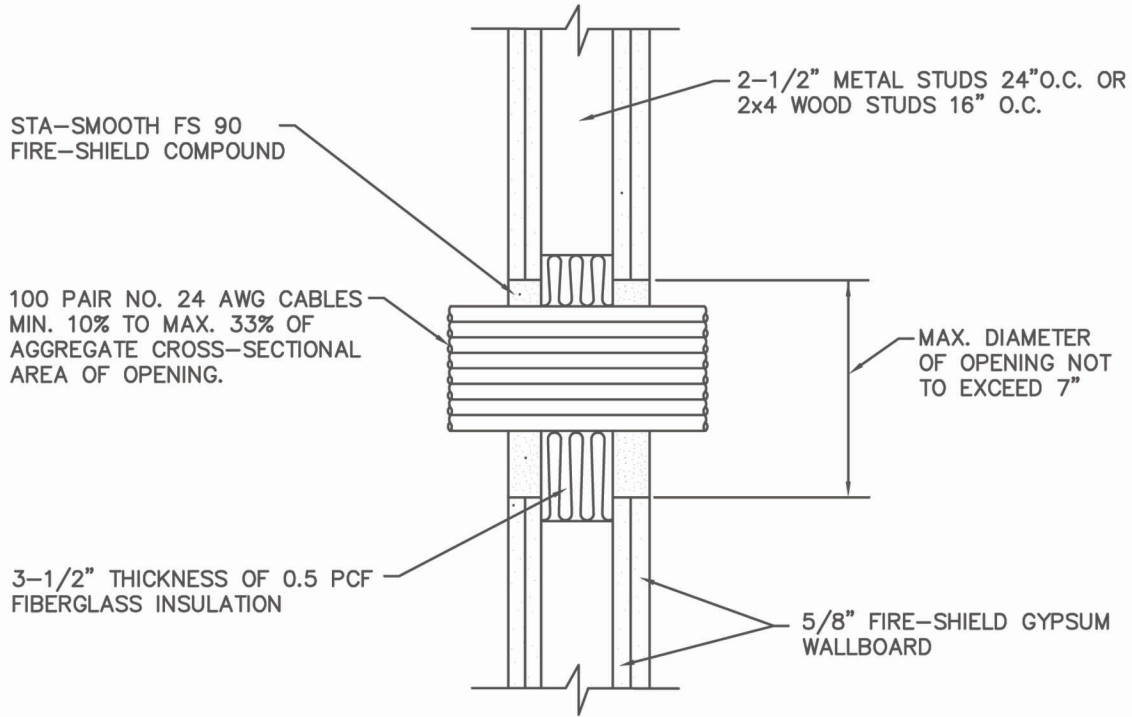


F RATING - 2 HR
 T RATING - 0 HR



TEST REF.
 UL SYSTEM NO. W-L-3035

| | | |
|----------------|---------------------------|--------------------|
| SCALE: NONE | CABLE THROUGH PENETRATION | |
| DATE: 2001 | NATIONAL GYPSUM COMPANY | DETAIL 07270_02 |