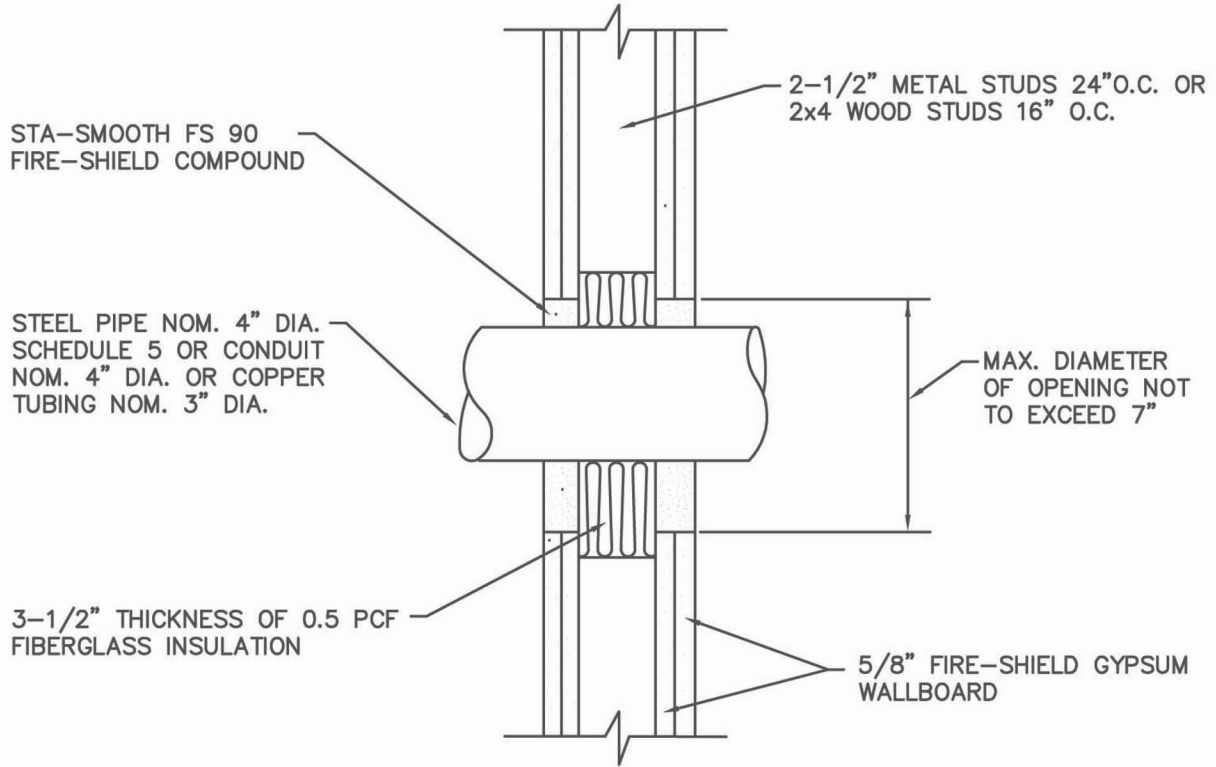


F RATING - 2 HR
 T RATING - 0 HR



TEST REF.
 UL SYSTEM NO. W-L-1041

SCALE: NONE	PIPE THROUGH PENETRATION	
DATE: 2001	NATIONAL GYPSUM COMPANY	DETAIL 07270_01