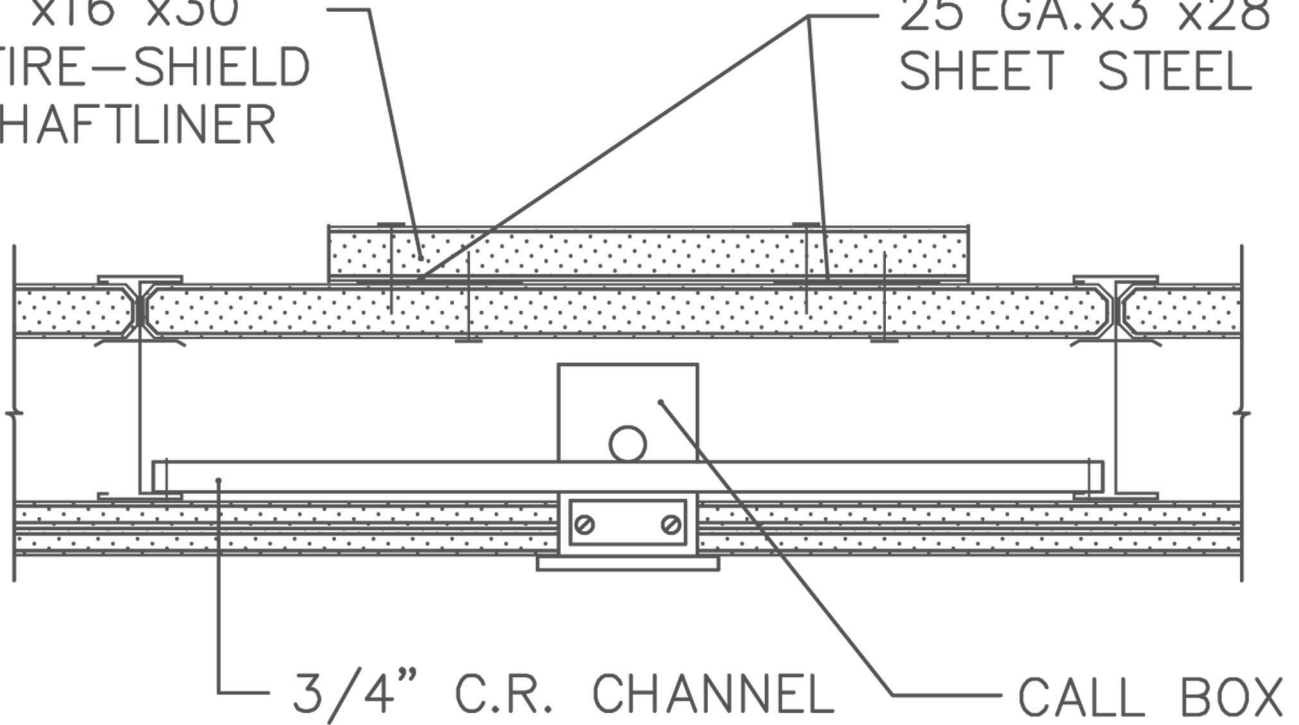


1"x16"x30"
FIRE-SHIELD
SHAFTLINER

25 GA.x3"x28"
SHEET STEEL



SHAFTWALL CALL BOX
(SECTION B-B)

09260BB